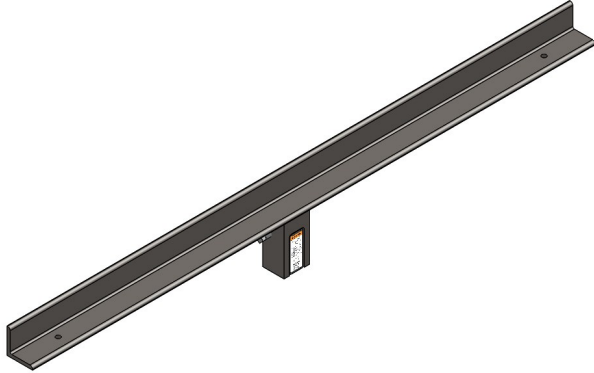


SCAFFOLD BUILDING BLOCKS

DESCRIPTION

The Scaffold Building Blocks lock onto a rail, providing a secure angle to place scaffold planks. Each end of angle features a 1/2" thru hole to secure end planks. All blocks are rated per OSHA 1926 Subpart L Appendix A (see below).



Part No. 11-185-66

Part No.	Rail Size Range (in)	ISO Rail Sizes	Angle Length (ft)
11-185-66	5/8 - 3/4	T89, T127-1, T127-2, T140-1	5 1/2
11-185-96	5/8 - 3/4	T89, T127-1, T127-2, T140-1	8
11-186-66	1 1/8 - 1 1/4	T140-2, T140-3	5 1/2
11-186-96	1 1/8 - 1 1/4	T140-2, T140-3	8

Rated Loads		
Duty	Max Intended Nominal Load (lbs/ft ²)	Max Span (ft)
Light	25	10
Med	50	8
Heavy	75	6