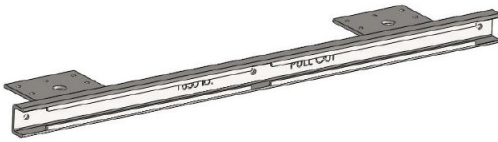


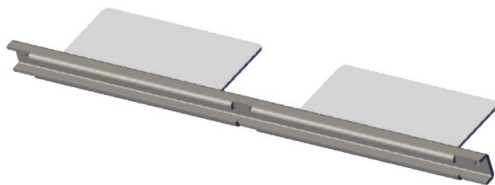
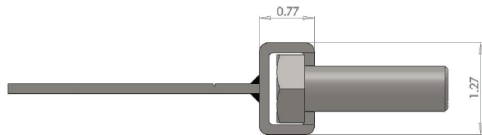
WALL INSERTS



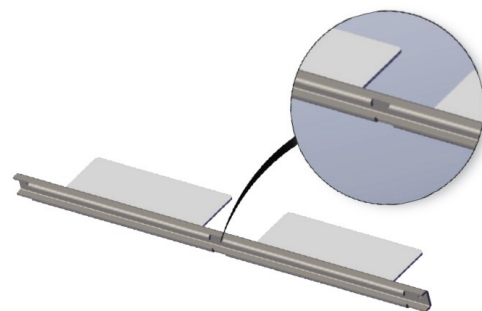
Part No. 20-200-15 thru 20-200-30



Part No. 20-200-36 thru 20-200-42



Part No. 20-200-24-4W thru 20-200-30-8W



DESCRIPTION

Wurtec **Wall Inserts** are designed specifically for the elevator industry. They can be used in elevator shafts of various construction materials, including wooden walls with drywall finish, block or poured concrete walls, and even steel frame buildings. The head of a 5/8" hex bolt can be inserted into the channel through the notches provided. The head is then captured, allowing the rail brackets to be installed with a single wrench. Wurtec Wall Inserts are not ICC-ES certified to any IBC standard and should not be used where ICC-ES certification is required.

- **Made in the USA**
- Rated
- Designed for elevator industry
- No special hardware required
- Painted black
- Optional cover provided to prevent insert from filling with concrete
- Custom mounting brackets available

| Part No. | Length (") | Pull Out (lb) * | Shear (lb) * | Weight (lb) |
|--------------|--|-----------------|--------------|-------------|
| 20-200-15 | 15 | 1650 | 1650 | 2.45 |
| 20-200-24 | 24 | 1650 | 1650 | 3.42 |
| 20-200-30 | 30 | 1650 | 1650 | 4.05 |
| 20-200-36 | 36 | 1650 | 1650 | 4.71 |
| 20-200-15-CK | Concrete Installation Kit. Includes 2 anchor bars and a insert that is protected from filling up with concrete. 15"- 30" | | | |
| 20-200-24-CK | | | | |
| 20-200-36-CK | Concrete Installation Kit. Includes 3 anchor bars and a insert that is protected from filling up with concrete. | | | |

* Loads must be applied no more than 1" from outside edge of mounting plates to achieve stated rating.

This version of the Wall Insert comes **without** mounting brackets and is designed to be welded directly to the steel structure of the hoistway:

| Part No. | Length (") | Pull Out (lb) ** | Shear (lb) ** | Weight (lb) |
|------------|---|------------------|---------------|-------------|
| 20-200-15P | 15 | 1650 | 1650 | 1.55 |
| 20-200-24P | 24 | 1650 | 1650 lb | 2.52 |
| 20-200-30P | 30 | 1650 | 1650 lb | 3.16 |
| 20-200-36P | 36 | 1650 | 1650 lb | 3.80 |
| 20-200-02 | Concrete Installation Kit for Block Wall 15" - 30" (No Foam). | | | |
| 20-200-07 | Concrete Installation Kit for Block Wall 36" (No Foam). | | | |

** Loads must be placed no more than 1" outside of last weld to achieve stated rating.

This version of the Wall Insert is manufactured to accept 4", 6" or 8" beams for welding inserts:

| Part No. | Length (") | Pull Out (lb) ** | Shear (lb) ** | Weight (lb) |
|--------------|------------|------------------|---------------|-------------|
| 20-200-24-4W | 24 | 1650 | 1650 | 4.51 |
| 20-200-24-6W | 24 | 1650 | 1650 | 4.25 |
| 20-200-24-8W | 24 | 1650 | 1650 | 3.98 |
| 20-200-30-4W | 30 | 1650 | 1650 | 5.67 |
| 20-200-30-6W | 30 | 1650 | 1650 | 5.40 |
| 20-200-30-8W | 30 | 1650 | 1650 | 5.13 |

** Loads must be placed no more than 1" outside of last weld to achieve stated rating.