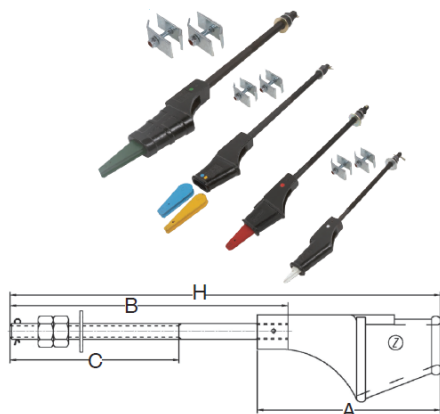


## WEDGE SOCKET



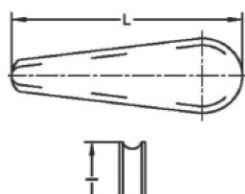
## DESCRIPTION

### ZZIPCO USA Standard ZZWNS Series Wedge Sockets

(shackles) are tested with traction steel elevator rope (rated one of the highest strength elevator rope in today's market) and exceed ASME A17.1S-200 Section 2.20.9.5 Safety Code. All standard wedge sockets are painted with a black body and color-coded to match each wedge color for high safety standards. All sockets come with a wedge, two rope retaining clips, a cotter pin, a washer, and two nuts as standard. Additional rod lengths are available.

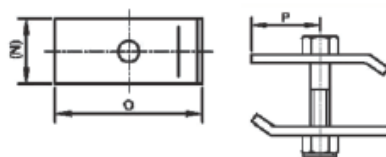
Part No.	Size	A	B	C	Nut Size	H
<b>ZZWS10</b>	3/8" (10 mm)	6"	12", 18", 24" (304.8 mm, 457.2 mm, 609.6 mm)	9.05"	M14	17", 23", 29"
<b>ZZWS13</b>	7/16"-1/2" (11-13 mm)	7.5"	12", 18", 24", 30", 36", 42" (304.8 mm, 457.2 mm, 609.6 mm, 762.0 mm, 914.4 mm, 1066.8 mm)	9.05"	M20	18", 24", 30", 36", 42"
<b>ZZWS16</b>	9/16"-5/8" (14-16 mm)	7.5"	12", 18", 24", 30", 36", 42" (304.8 mm, 457.2 mm, 609.6 mm, 762.0 mm, 914.4 mm, 1066.8 mm)	9.05"	M20	18", 24", 30", 36", 42"

### Wedge Insert



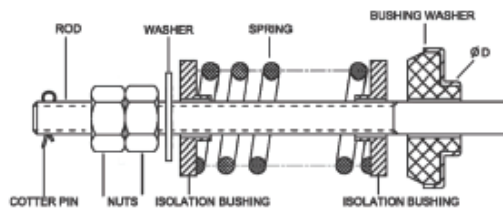
Part No.	Size	L	I	Color
<b>ZZWW10</b>	3/8" (10 mm)	3.75"	1.3"	Red
<b>ZZWW13</b>	7/16"-1/2" (11-13 mm)	4"	1.6"	Blue
<b>ZZWW16</b>	9/16"-5/8" (14-16 mm)	4.7"	1.3"	Yellow

### Retaining Clip



Part No.	Size	N	O	P	Nut Size	Bolt Size
<b>ZZWRC1316</b>	7/16" - 5/8" (11-16 mm)	1"	1.84"	0.94"	M6	M6 x 35 mm

### Spring Bushing Assembly



Part No.	Size	OD
<b>ZZWS10</b>	3/8" (10 mm)	1"
<b>ZZWS13</b>	7/16"-1/2" (11-13 mm)	1-1/16"
<b>ZZWS16</b>	9/16"-5/8" (14-16 mm)	1"