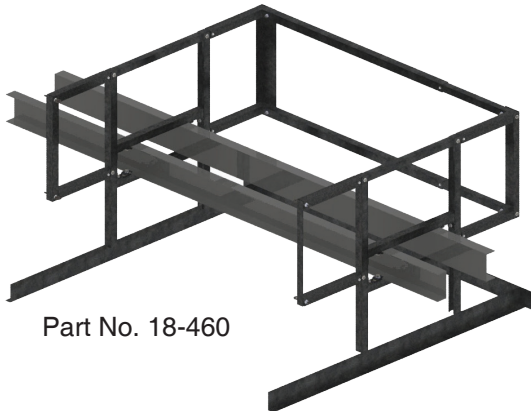
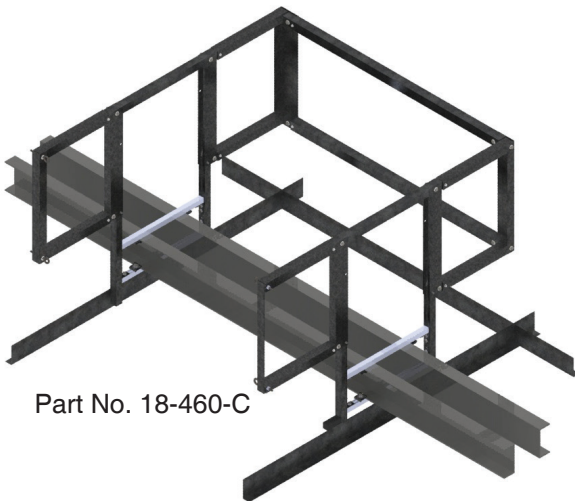


Crosshead Mounted Top of Car Handrail



Part No. 18-460



Part No. 18-460-C

STANDARD	COLLAPSIBLE
18-460	18-460-C
18-465	18-465-C
18-460-A	18-460-CA
18-465-A	18-465-CA

*A indicates aluminum construction

*C indicates vertically collapsible construction

1. 'Sandwich' both sides on the crosshead with one center channel (1) on the top and one center channel on the bottom of the crosshead. Be sure to center the side sections on the top of the car in both the width and depth directions.
2. Clip rail clips (2) on the crosshead and tighten to prevent the handrail from moving.
3. Adjust vertical height of the top surface of the upper handrail (3) to 42" by loosening the screws connecting the center channels to the center posts and sliding the handrail up or down. Re-tighten the screws.
4. Adjust depth of handrail by removing the self-drilling screws (4) from each corner, telescoping the hand rail sections to the desired length and replacing the self-drilling screws in their new locations.
5. Add the third side of the handrail by bolting the telescoping rail sections (5) to the corner brackets using the provided hardware. Replace the self-drilling screws in their new locations.
6. (Collapsible only) Attach the limit switch to the handrail so that the switch is triggered when the handrail is collapsed. Wire the limit switch into the elevator controls as desired.
7. (Optional) Attach the chain kit (sold separately) to the eye bolts on the open end of the handrail.

Specifications

Part No.	Configuration	Size (min. - max.)		Weight (lbs.)
		Width (in.)	depth (in.)	
18-460	FRONT OPENING	56" - 96"	60" - 75"	127
18-465	FRONT OPENING	56" - 96"	75" - 110"	150
18-460-C	FRONT OPENING COLLAPSIBLE	56" - 96"	60" - 75"	128
18-465-C	FRONT OPENING COLLAPSIBLE	56" - 96"	75" - 110"	149