

Huskie Wire Rope Cutter JSH-20

Description

Here's the modern, safe way to cut wire ropes. This hand-held, hand-pumped, hydraulic cutter is ideal because of its compact, lightweight, rugged design. Replacement parts and repair service are available. (3/4" wire rope) 15"L



Part No. 16-141

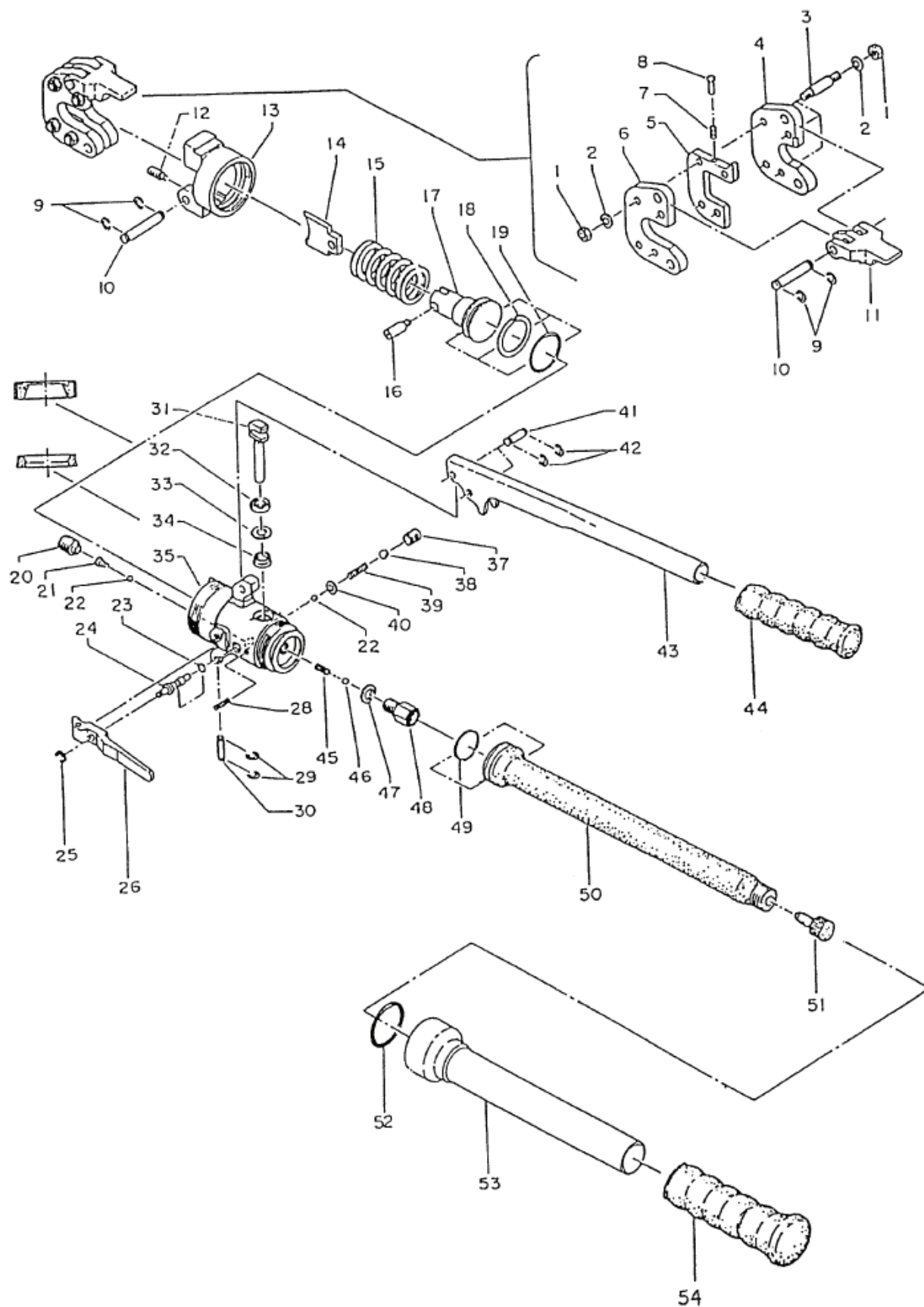
Part No.	Description	Size
16-140	Hand held cable cutter	15" (38.1 cm)
16-141-W	Huskie replacement blade	



Part No. 16-140

Parts List





NO.	DESCRIPTION	CODE	QTY.
1	M6 HEX. NUT	16-01	8
2	M6 LOCK WASHER	16-02	8
3	STUD BOLT (1)	16-03	4
4	HEAD SHEAR	20-02	1
5	SPACER	20-70	1
6	MAIN HEAD	20-04	1
7	SPRING (144)	85-37	1
8	SLIDE PIN	20-71	1
9	CE-8 SNAP RING	16-09	4
10	PIN (46)	16-10	2
11	LATCH	16-11	1
12	M5 X 10 SCREW (D.P.)	55A-11	1
13	BODY HEAD	20A-01	1
14	BLADE	20-07	1
15	SPRING (75)	16-17	1
16	BLADE SCREW	16-19	1
17	RAM	16-21	1
18	P-29 BACK-UP RING (B.C.)	16-22	1
19	P-29 O-RING	16-23	1
20	VALVE SCREW (3)	16-24	2
21	SPRING (2)	16-25	1
22	7/32" BALL	16-26	1
23	P-3 O-RING	16-36	1
24	RELEASE VALVE STEM	16-35	1
25	E-3.2 SNAP RING	16-33	1
26	RELEASE LEVER	20-08	1
28	SPRING (77)	16-37	1
29	E-2.5 SNAP RING	16-28	2
30	PIN (26)	16-27	1
31	PUMP PISTON	16-47	1
32	VC8 OIL SEAL	40A-05	1
33	P-8 BACK-UP RING (B.C.)	85-33	1
34	PS-8 PENT SEAL	16-44	1
35	BODY HEAD	20A-02	1
36	M4 X 6 SCREW (F.P.)	16-42	1
37	M10 X 10 SCREW (F.P.)	16-41	1
38	9/32" BALL	16-40	1
39	SPRING (76)	16-39	1
40	M3 FLAT WASHER	16-38	1
41	PIN (47)	16-29	2
42	CE-6 SNAP RING	16-30	4
43	PUMP HANDLE	16-31	1
44	PUMP HANDLE GRIP	16-32	1
45	SPRING (4)	16-48	1
46	3/16" BALL	16-49	1
47	COPPER GASKET (6)	16-50	1
48	SUCTION VALVE SCREW ASS'Y	16-51	1
49	P-26 O-RING	16-55	1

NO.	DESCRIPTION	CODE	QTY.
50	OIL RESERVOIR (4)	20A-03	1
51	RESERVOIR CAP	410-55	1
52	S-36 O-RING	85-51	1
53	BODY HANDLE	16-63	1
54	BODY HANDLE GRIP	16-64	1