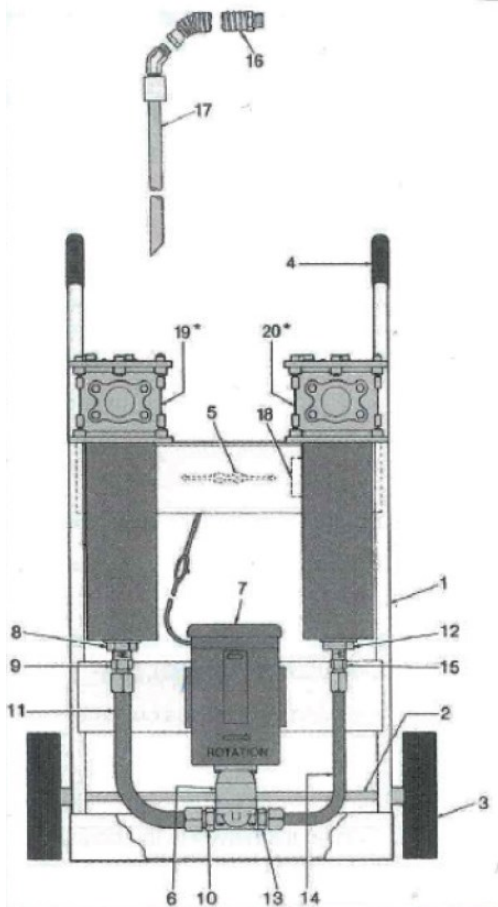


Filter Cart



Part No. 10-400



Product Description

This completely self-contained dual filter system is ideal for transferring oil from drum to tank and cleansing the oil in existing systems. The two stage system is ready to use on 100V service. It filters at the rate of 10 gallons per minute.

Part No.	Description	Weight
10-400	Portable Filter Cart	125 lbs (57 kg)

Filter Cart Replacement Parts

Item #	Part No.	Description
1	928690	Frame
2	928653	Axle
3	928650	Wheel
4	928651	Hand Grip
5	928649	Cord Cleat
OPT. 5	928623	Cord Reel
6	928731	Pump
7	928678	Motor 10MF
8	928748	Pipe Reducer
9	928728	Tube Fitting
10	928652	Adapter Fitting
11	928677	Suction Tube Assembly
12	928749	Pipe Reducer
13	928729	Adapter Fitting
14	928676	Discharge Tube Assembly
15	928727	Tube Fitting
16	928663	Hose Assy.—Buna N
17	928784	Tube Wand Assy.—Buna N
17	928620	Tube Wand Assy. Viton
18	932187	Name Plate
19*	RfF-1-PP3-YN-F9-1	Inlet Filter—Buna N
20*	Cf2-1**-MP25-F90YN-1	Outlet Filter—Buna N